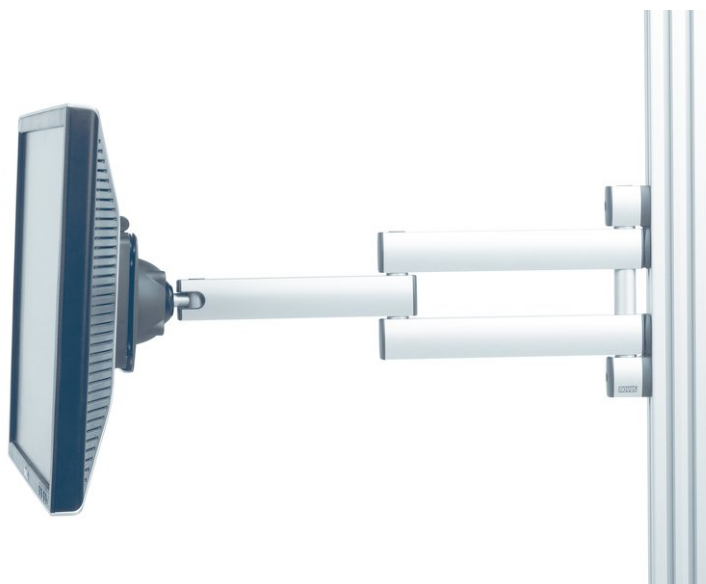


LCD swivel arm MA2



The quick-release mechanism is equipped with the standard used flat-screen mount 75x75 and 100x100 for the mounting of all normal flat-screens.

Product code MA2

Max load kg 15

ESD No

Color name Light grey

Warranty years 2

Suitable for module Upright profiles, aluminium profile and C-profiles

Available for the following products

Quantity per package 1

EAN-code 6416763087433

Frame material Anodized aluminium

Other

Adapter set AS2 is needed for fastening MH/MA/MA2 arms to the Concept/TP/LMT/Towerline uprights and TPH C-profiles.